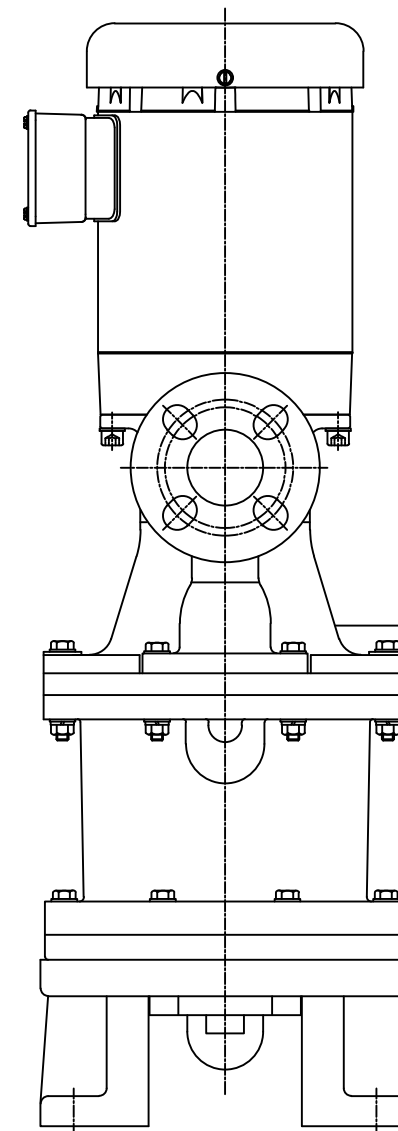
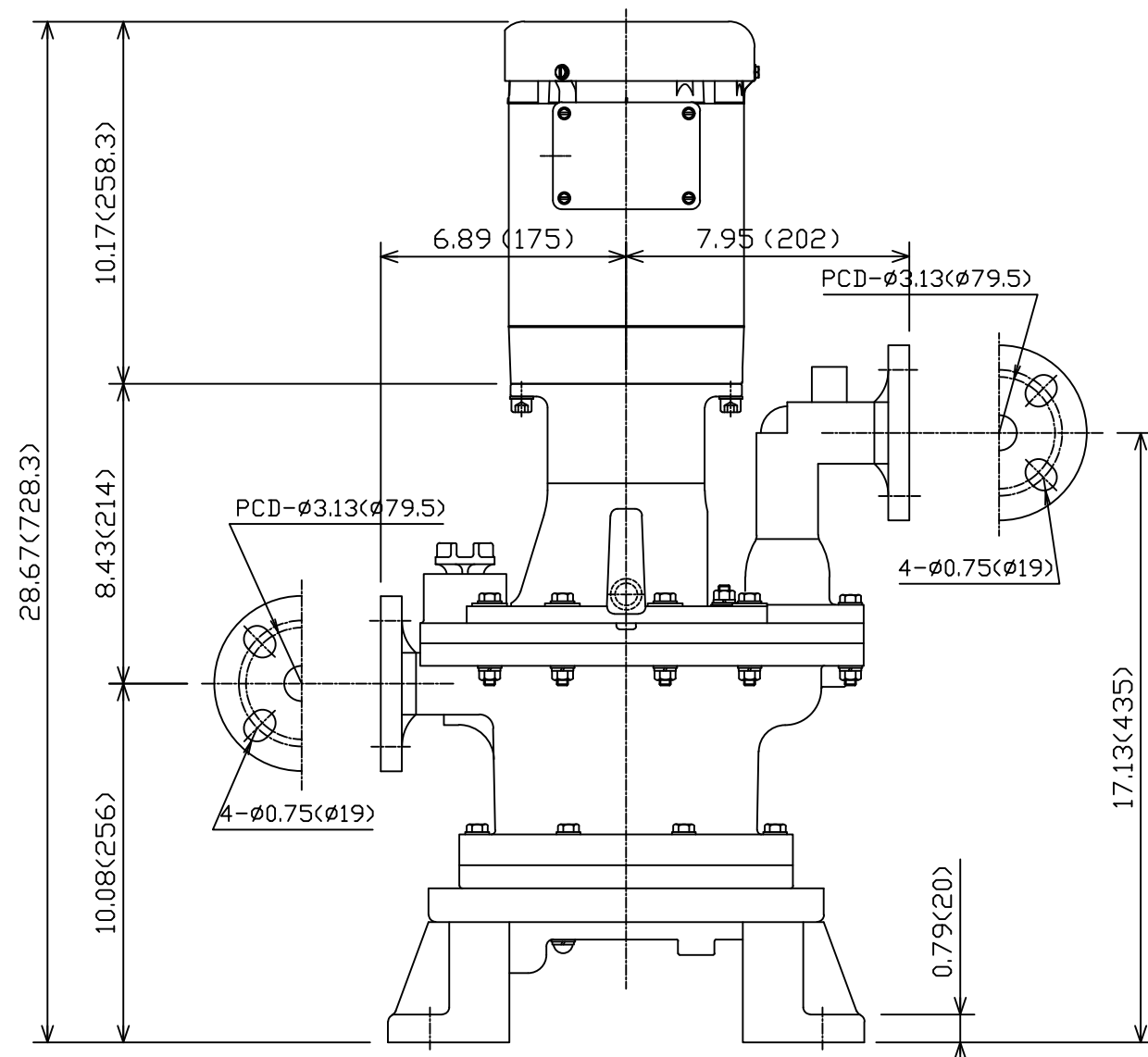
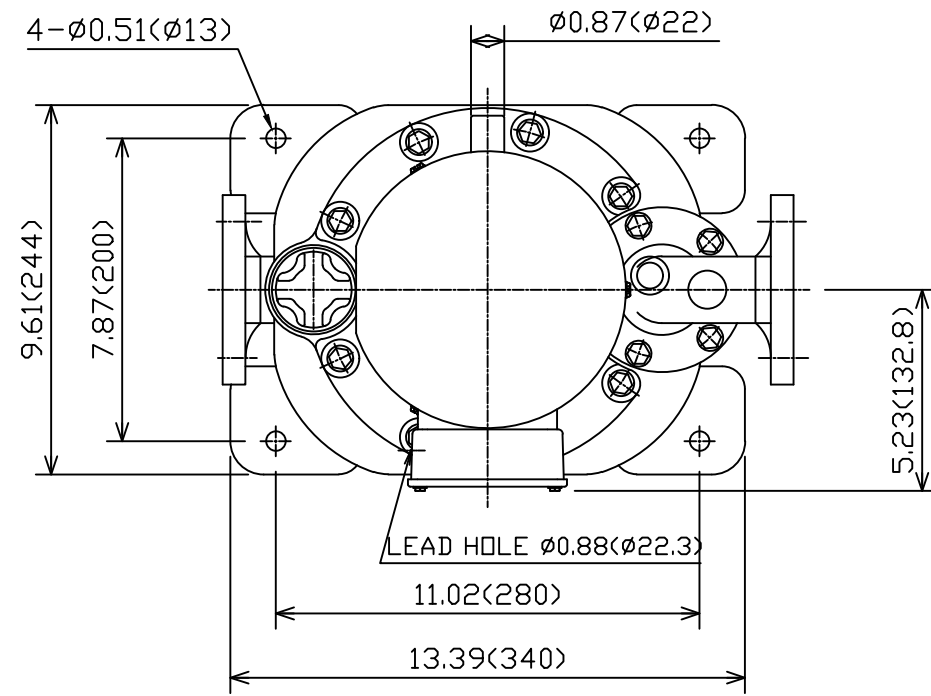


改定 REV.	日付 DATE	改定内容 DESCRIPTION	承認 APP'D BY	検図 CK'D BY	設計 BY
△					



Unit=Inch(mm)

TITLE	SEALLESS SELF-PRIMING PUMP			ADAPTATION MODEL
MODEL	YD-2501NSF1-CP-D -MJ			
APPROVED BY	CHECKED BY	DRAWN BY	DRAWN DATE	
SAKAMOTO	OHTAKA	MORI	2018.03.08	
Dwg.No,	DM-31232-0			SCALE
				N.T.S
World Chemical Co.,Ltd.				