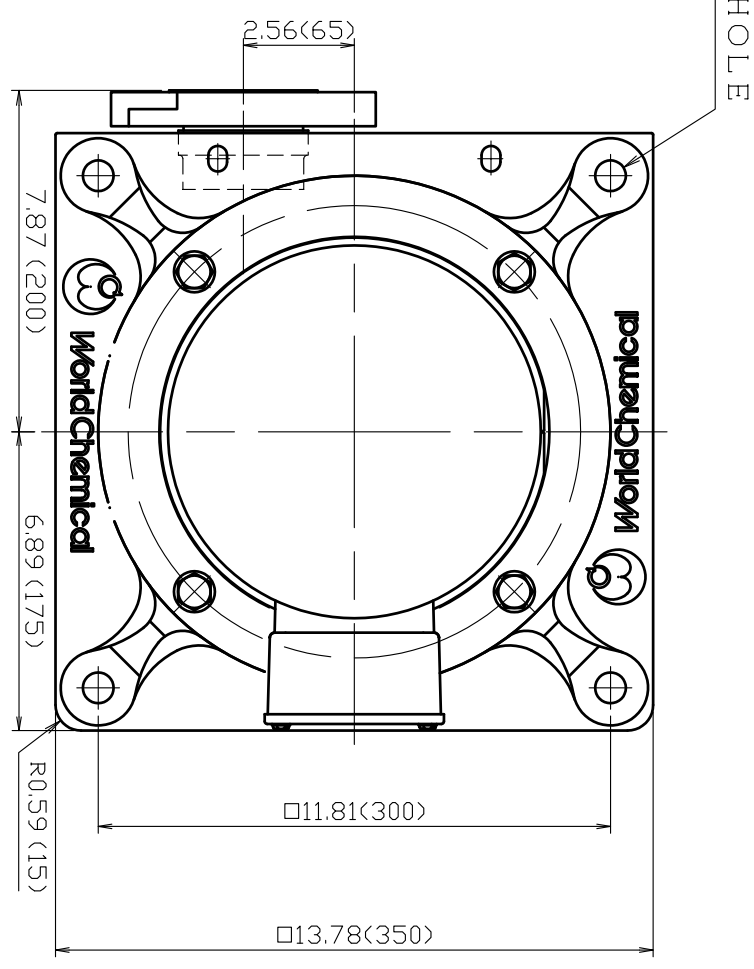
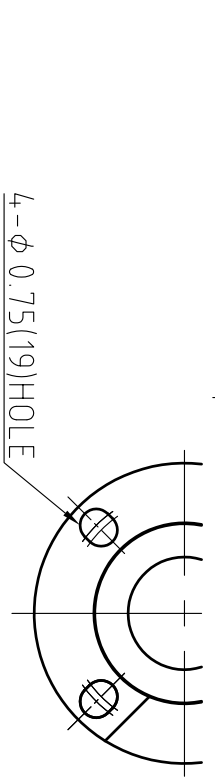
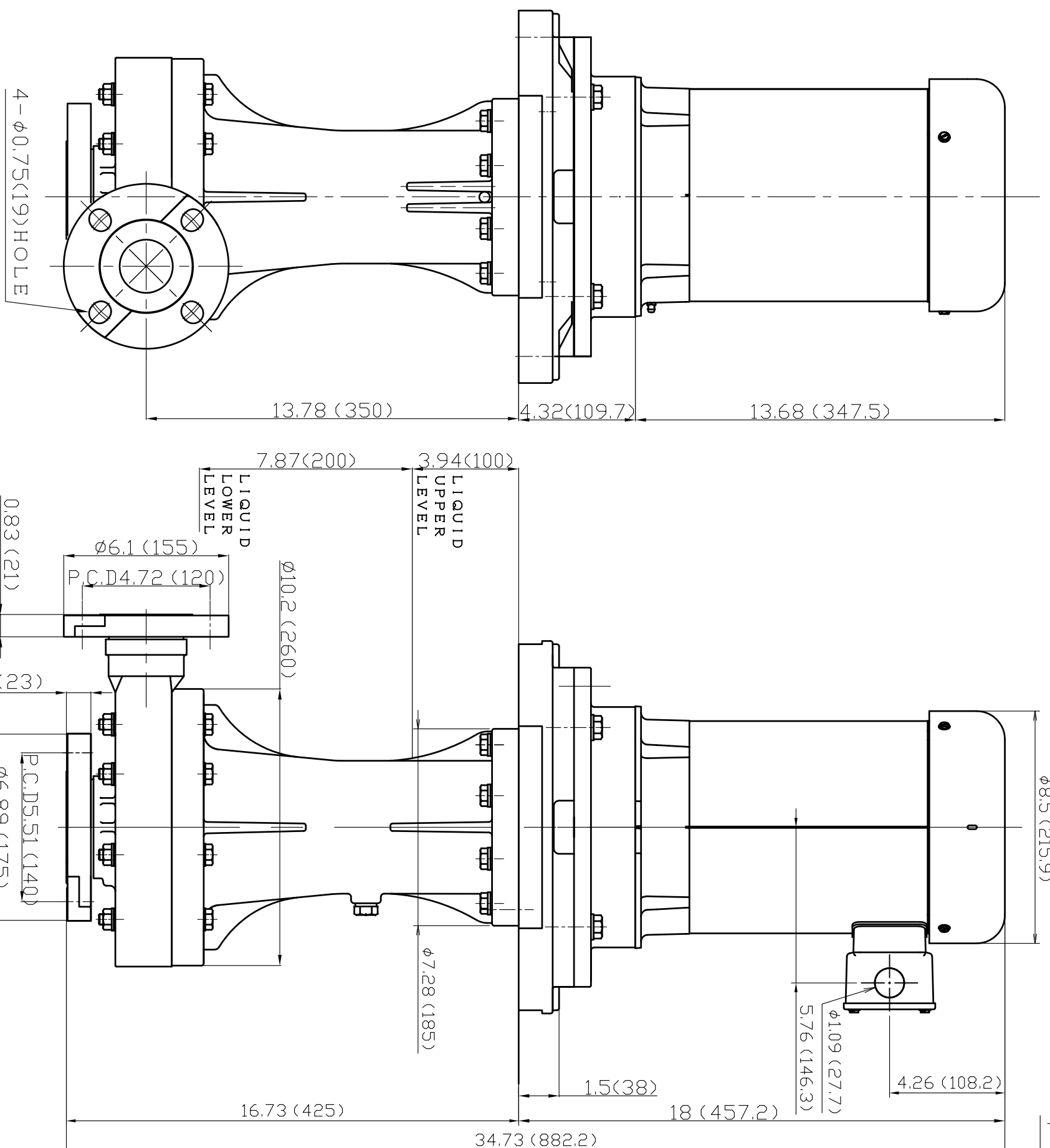


4-φ0.71(18)HOLE



|            |                        |
|------------|------------------------|
| BORE       | SUC. 2-1/2" / DIS. 2"  |
| TOTAL HEAD | Ft                     |
| CAPACITY   | GPM                    |
| MOTOR      | 5HP (TEFC 184TC FRAME) |
|            | BALDOR                 |
|            | V 60Hz 2P 3φ           |
| LIQUID     | NAME                   |
|            | CONC. % S.G.           |
|            | TEMP. °F               |

|   |                        |                   |                          |            |
|---|------------------------|-------------------|--------------------------|------------|
| 名称<br>TITLE                               | VERTICAL SEALLESS PUMP |                   | 適用機種<br>ADAPTATION MODEL | NEMA MODEL |
| 型式<br>MODEL                               | YD-5005VP1-CP-W 64-MJZ |                   |                          |            |
| 承認<br>APPROVED BY                         | 検図<br>CHECKED BY       | 設計・製図<br>DRAWN BY | 日付<br>DATE               |            |
| KIMURA                                    | YAMANAKA               | YOSHIDA           | 2018/04/11               |            |
| 図面番号<br>Dwg. No.                          | VM-31630-0             |                   | 尺<br>SCALE               | N.T.S      |
| 株式会社 ワールドケミカル<br>World Chemical Co., Ltd. |                        |                   |                          |            |

UNIT IN inch (mm)