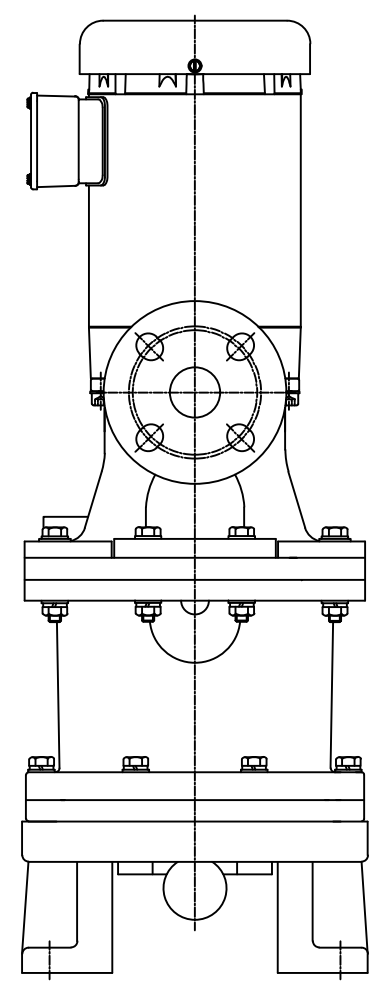
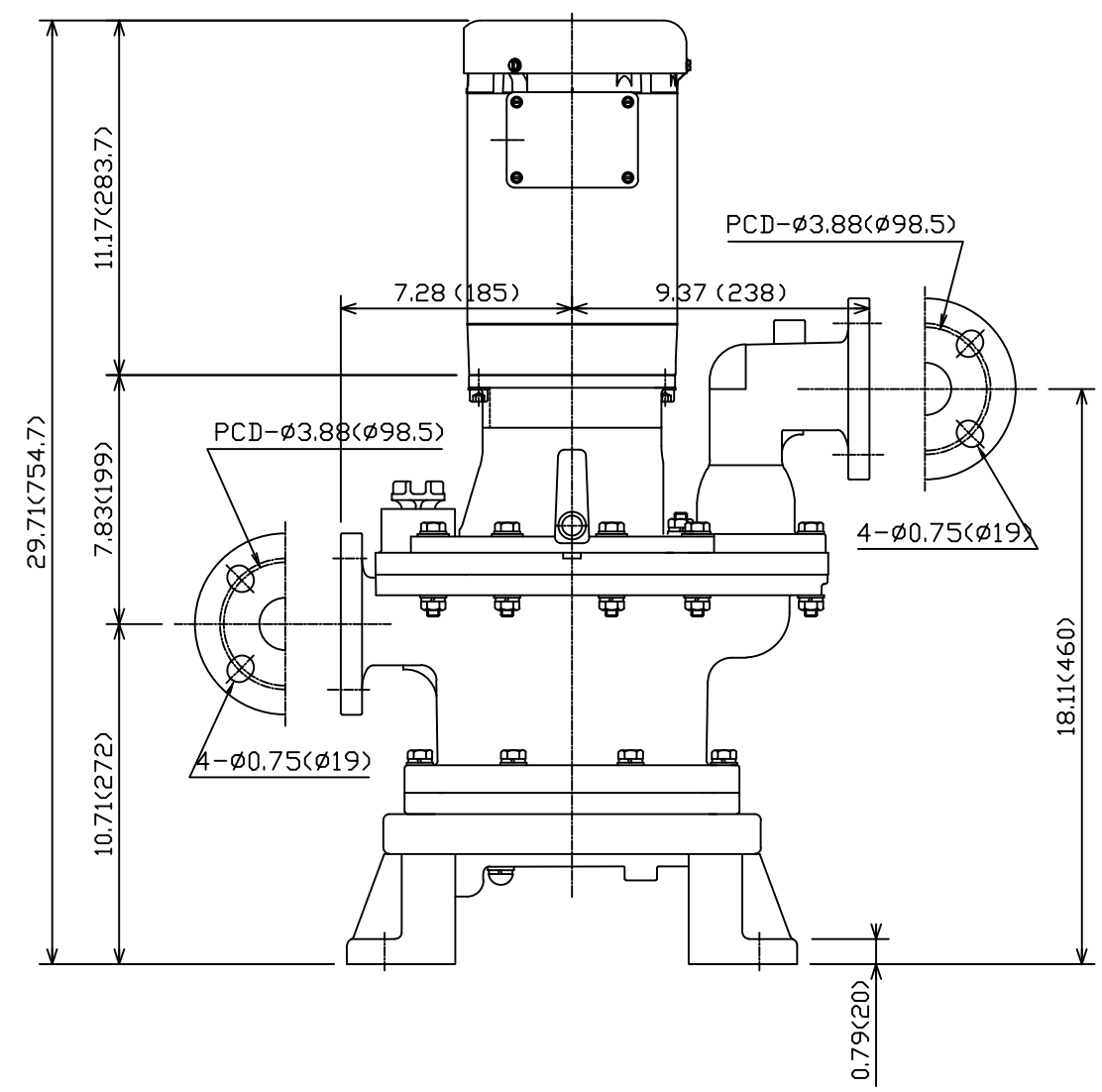
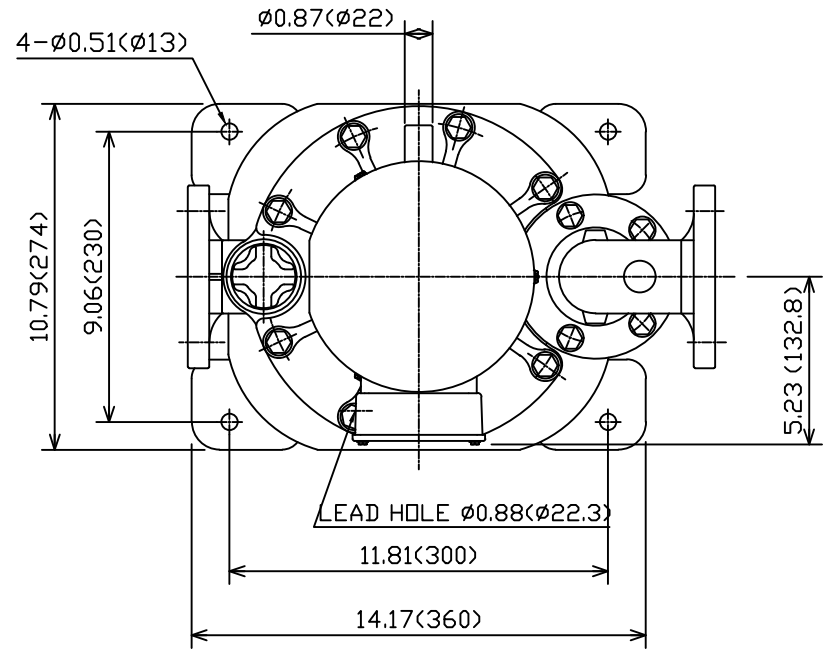


改定 REV.	日付 DATE	改定内容 DESCRIPTION	承認 APP'D BY	検図 CK'D BY	設計 BY
△					



Unit=Inch(mm)

TITLE	SEALLESS SELF-PRIMING PUMP		ADAPTATION MODEL
MODEL	YD-4002NSF1-CP-D -MJ		
APPROVED BY	CHECKED BY	DRAWN BY	DRAWN DATE
SAKAMOTO	OHTAKA	MORI	2018.03.09
Dwg.No.	DM-31233-0		SCALE
			N.T.S
World Chemical Co.,Ltd.			