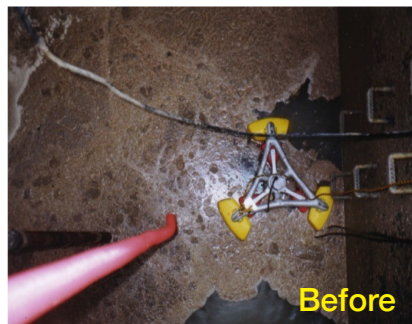




Efficient, Lightweight and Durable Oil Skimmers. The most-ideal solution for floating oil.



Just 30min.

- No Manual labor needed
- Vacuums surface only
- Skimmer comes with pump
- Highly corrosion and heat resistant

For oil, food, ponds, paint sludge, sumps, waste water treatment and more!

Applications



Food factory



Automobile factory



Pond



Testimonials:

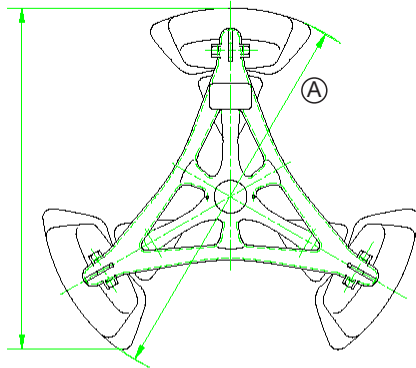
Food Industry

We were using (manpower manual labor) to remove the oils that solidified. After installing the YD-GYP the efficiency has increased.

Aluminum parts manufacture

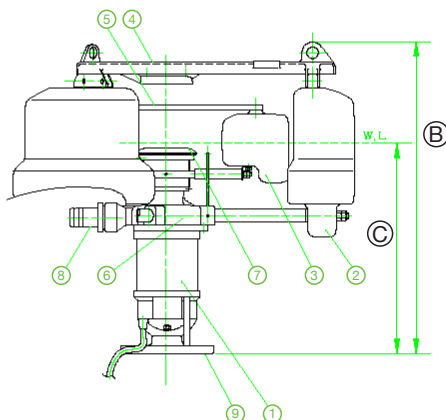
Exchanged to this from using tube skimmer. This only removes the unwanted sludge from surface saves water.

| NO. | PARTS NAME | QTY | MATERIAL | NOTE |
|-----|-----------------------|-----|----------------------------|------------|
| 1 | Submersible Pump | 1 | Resin with Glass Fiber/SUS | |
| 2 | Main Float | 3 | PE | |
| 3 | Gate Float | 3 | PE | |
| 4 | Float Frame | 1 | AL/SUS | |
| 5 | Casing | 1 | AL | |
| 6 | Cable Protection Base | 1 | SS | |
| 7 | Gate Ring | 1 | AL/SUS Others | |
| 8 | Hose | 1 | PP | φ1.0"-2.0" |
| 9 | Balance Weight | 1 | SS | |



Unit: inch (mm)

| MODEL | A | B | C |
|------------|-------------|------------|------------|
| YD-600GYP | 22.0 (560) | 22.8 (580) | 17.3 (439) |
| YD-800GYP | 31.5 (800) | 27.2 (690) | 18.7 (476) |
| YD-1000GYP | 39.4 (1000) | 25.5 (647) | 17.8 (452) |
| YD-1200GYP | 47.2 (1200) | 26.8 (680) | 19.7 (500) |



| MODEL | DISCHARGE DIAMETER [in. (mm)] | TDH [ft. (m)] | CAPACITY [gpm (lpm)] | WEIGHT [lbs. (kg)] |
|------------|-------------------------------|---------------|----------------------|--------------------|
| YD-600GYP | 1.0 (25) | 13 (4) | 4.0 (15) | 28 (13) |
| YD-800GYP | 1.5 (40) | 13 (4) | 10.6 (40) | 48 (22) |
| YD1000GYP | 1.5 (40) | 23 (7) | 13.2 (50) | 53 (23) |
| YD-1200GYP | 2.0 (50) | 23 (7) | 26.4 (100) | 62 (28) |