

**GWN  
Series**

 **World Chemical USA, Inc.**

**Compact, Plastic, Magnetic-Drive  
Submersible Pump**



For pumping from a chemical tank  
For mixing, agitation and emergency situations

## MODEL

# YD-25A6GWN-CP-RD61

### Discharge bore

25:  $\phi$  25

### Motor output

A6: 0.26kW  
(100v/50Hz/Single phase)  
(115v/60Hz/Single phase)

### Model

### Main material

CP: CFR PP

### Bearing

R: CFR PTFE

### O-ring

D: FPM

### Frequency

5: 50Hz  
6: 60Hz

### S.G.

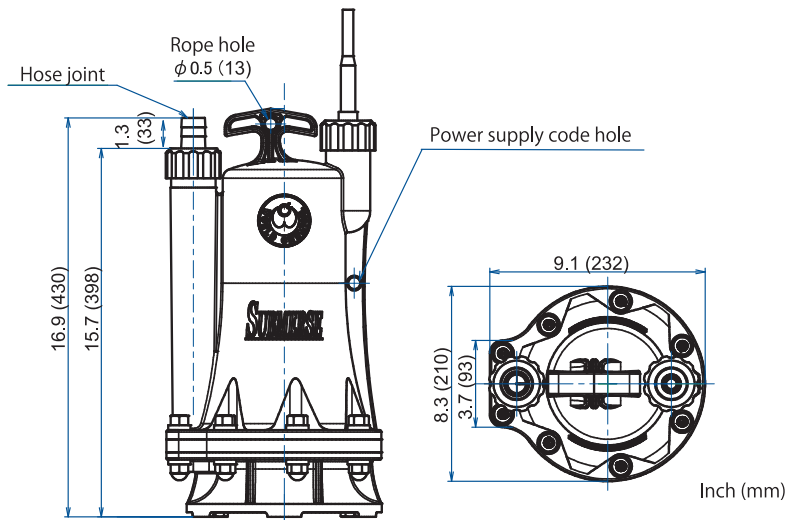
2: 1.2  
1: 1.1

## SPECIFICATION

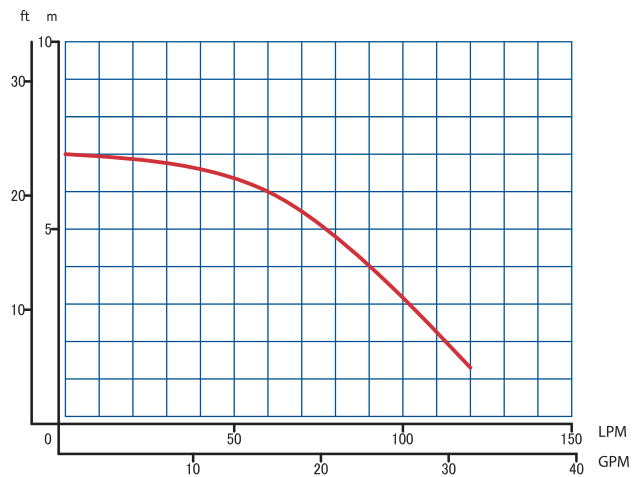
Model	Hz	S.G.	Hose size	Standard specification		Motor			Liquid temp.	Weight
				T.H.D.	Capacity	Output	Voltage/ph	Insulation		
YD - 25A6GWN - CP - RD52	50Hz	1.2	Inner diameter : 1" (25mm) Outer diameter : 1.3" (33mm)	19ft (6m)	15gpm (60L/min)	1/3HP (0.26kW)	115V 1 phase	F	104F MAX	30lbs (14Kg)
YD - 25A6GWN - CP - RD61	60Hz	1.1								

※ With a Cabtyre cable (2PNCT) being used as the power code, this pump can be used with most common acids and alkalis, except for organic solvents.

## OUTLINE DIMENSION



## PERFORMANCE CURVE (60HZ)



## FEATURES

- Corrosion Resistant (Carbon Fiber Reinforced Polypropylene)
- Capable of performing 15GPM/19TDH (1in. Bore)
- Magnetic-Drive Submersible pump means no mechanical seals or lubrication oils!
- Max Temp: 104F, Insulation Class F

## USAGE

- Lowest suction point of only 10mm (0.4in)!
- Transfers even foamy chemicals
- Durable in environments where surface layers are frozen
- Pumps wastewater from holding tanks
- To pump up from breakwater / broiler room

## CAUTION

- Do not lift the pump using the power code.
- Do not dry run.
- Do not use this pump with mud or slurry.

NORTH / SOUTH AMERICA

 **World Chemical USA, Inc.**

30 Hughes, Suite 203  
Irvine, CA 92618, U.S.A.  
949-462-0900 Tel  
949-462-0999 fax  
wca@worldchemicalusa.com  
www.worldchemicalusa.com

ASIA / EUROPE

 **World Chemical Co., Ltd.**

3F., ANTEX24 Bldg. 1-1-14, Taito,  
Taito-ku, Tokyo, 110-0016 Japan  
03-5818-5130 Tel  
03-5818-5131 fax  
chemical@wcc.co.jp  
www.wcc.co.jp

Distributed by: