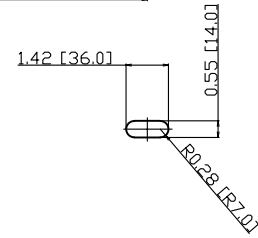
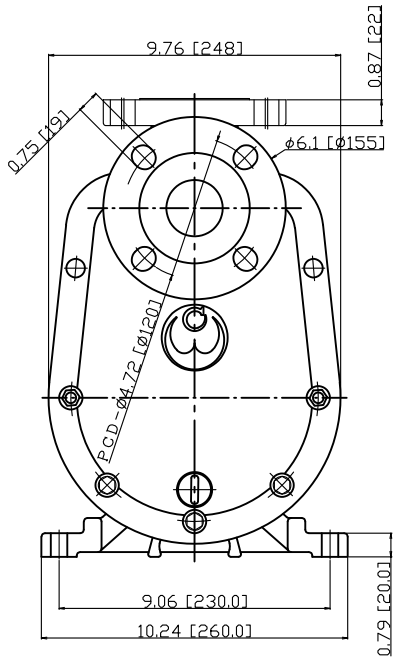
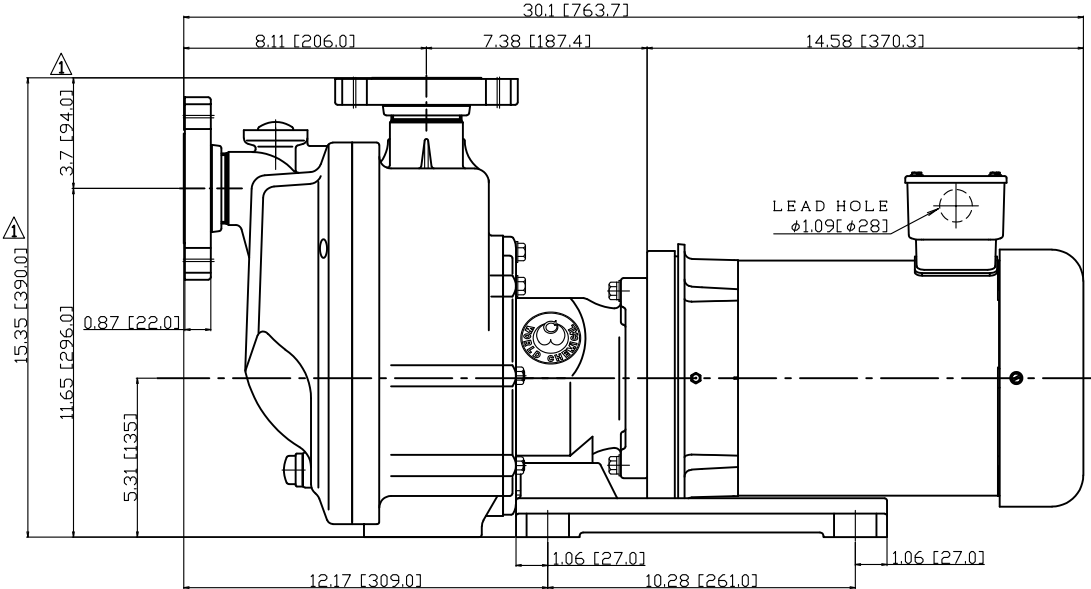
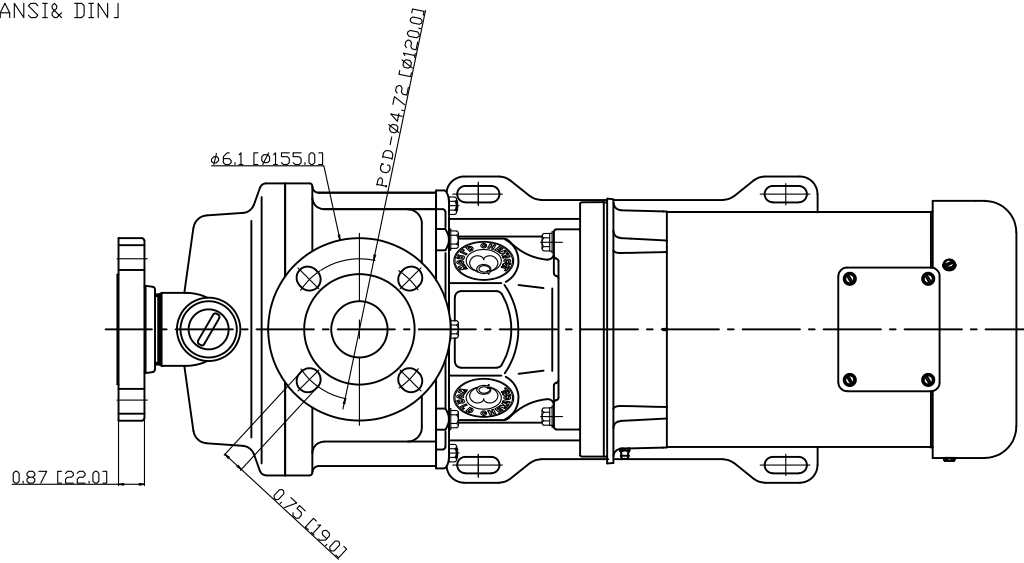


JIS10K standard Flange compatible with ANSI& DIN

| 改定 REV. | 日付 DATE | 改定内容 DESCRIPTION | 承認 APP'D BY | 検閲 CK'D BY | 設計 BY |
|------------|------------|---------------------|----------------|---------------|----------|
| △ | 2021.11.01 | Dimension change | MORI | YAMANAKA | HAI DANG |



Unit=Inch(mm)

| | | | |
|------------|---------------------------|-------|--------|
| Bore Size | Suc 2.0" / Dis 2.0" | | |
| Total Head | ft. | | |
| Capacity | GPM | | |
| Motors | BALDOR (TEFC 184TC Frame) | | |
| | 5HP | V | 60Hz |
| Liquid | name | Conc. | % S.G. |
| | Temp | °C | |

| | | | | |
|--|---|-------------------|------------------|-------------|
| 名称 TITLE | no-Valve Self- Priming Magnet PUMP'Super Mag' | | | |
| 型式 MODEL | YD-5005GV(F)3- -M | | | |
| 承認 APPROVED BY | 検閲 CHECKED BY | 設計・製図 DRAWN BY | 日付 DRAWN DATE | |
| MORI | OTAKA | YAMANAKA | 2018/04/06 | |
| 図面番号 Dwg. No. | GV-3930-1 | | | 尺度 SCALE |
| | | | | N. T. S |
| 株式会社 ワールドケミカル World Chemical Co.,Ltd. | | | | |