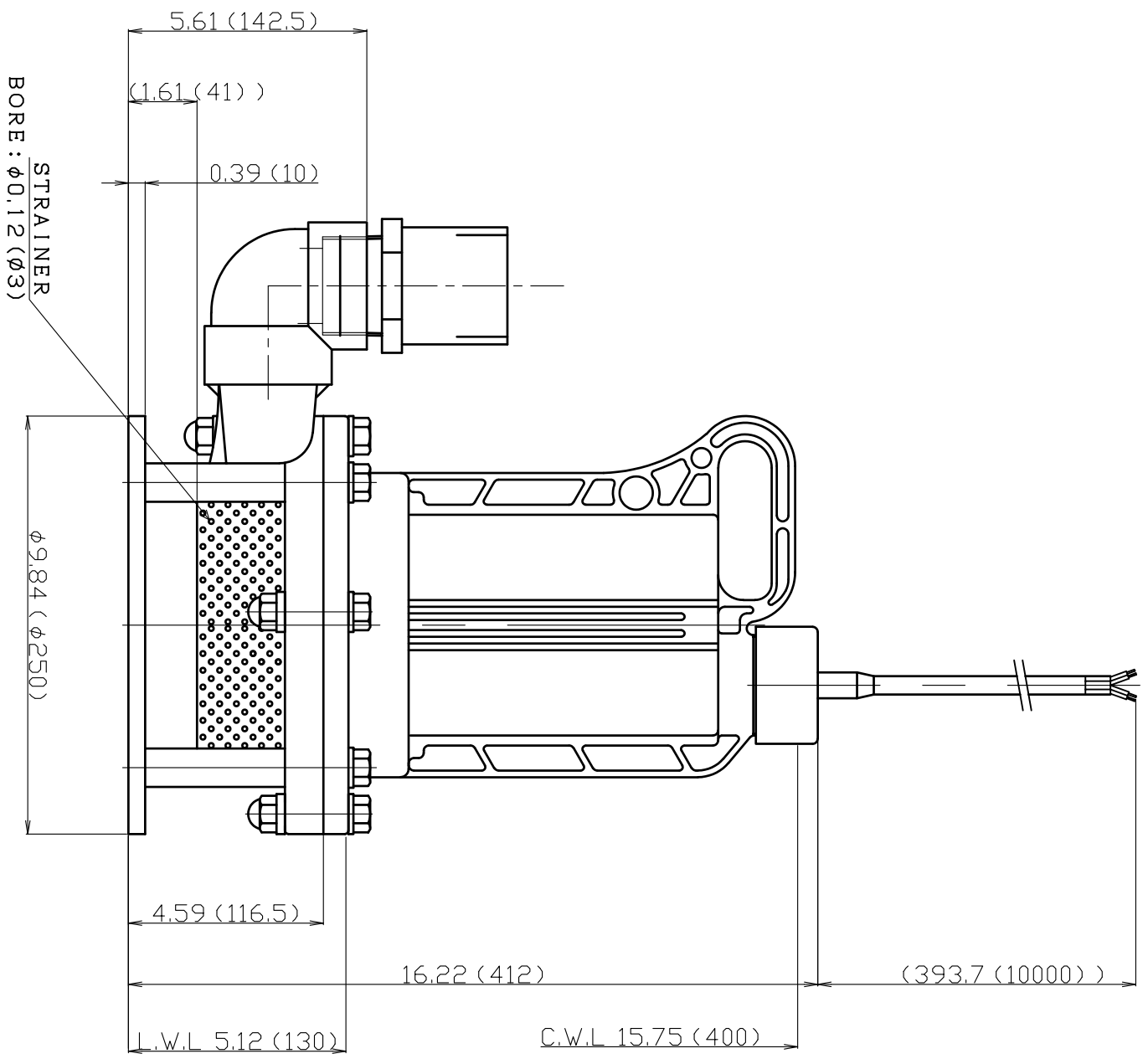
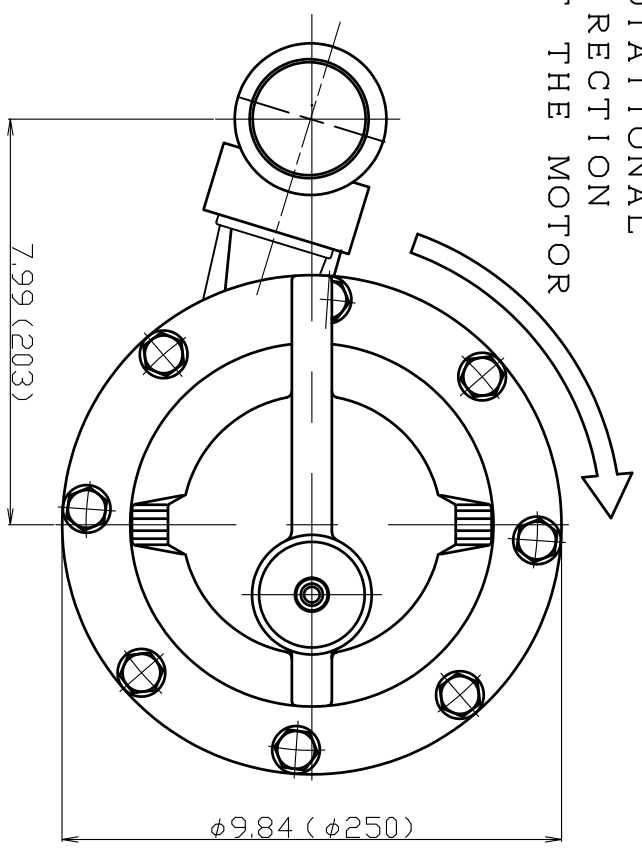


ROTATIONAL
DIRECTION
OF THE MOTOR



C.W.L (CONTINUOUS OPERATION WATER LEVEL)
L.W.L (LOWEST OPERATION WATER LEVEL)
UNIT IN inch(mm)

The operation under the liquid depth of continuous operation should be less than 5 minutes and do not operate the pump for the short time continuously.
This situation could damage the pump and cause a short circuit or electric shock.

BORE	DIS. 50A
TOTAL HEAD	m
CAPACITY	L/min
MOTOR	1.1kW
	V 50・60Hz 2P 3φ
LIQUID	NAME
	CONC. %
	TEMP. °C
	S.G.

名称	SUBMERSIBLE CHEMICAL PUMP		適応機種
TITLE			MODEL
型式	YD-5002GWN1-CP		
承認	検図	設計・製図	日付
APPROVED BY	CHECKED BY	DRAWN BY	DATE
MORI	UEHARA	YOSHIDA	2020/11/04
図面番号	GM-3173-0		尺度
Dwg. No.			SCALE
			1:4
株式会社 ワールドケミカル			
World Chemical Co.,Ltd.			

改定	日付	改定内容	承認	検図	設計
REV.	DATE	DESCRIPTION	APP'D BY	CR'D BY	BY

