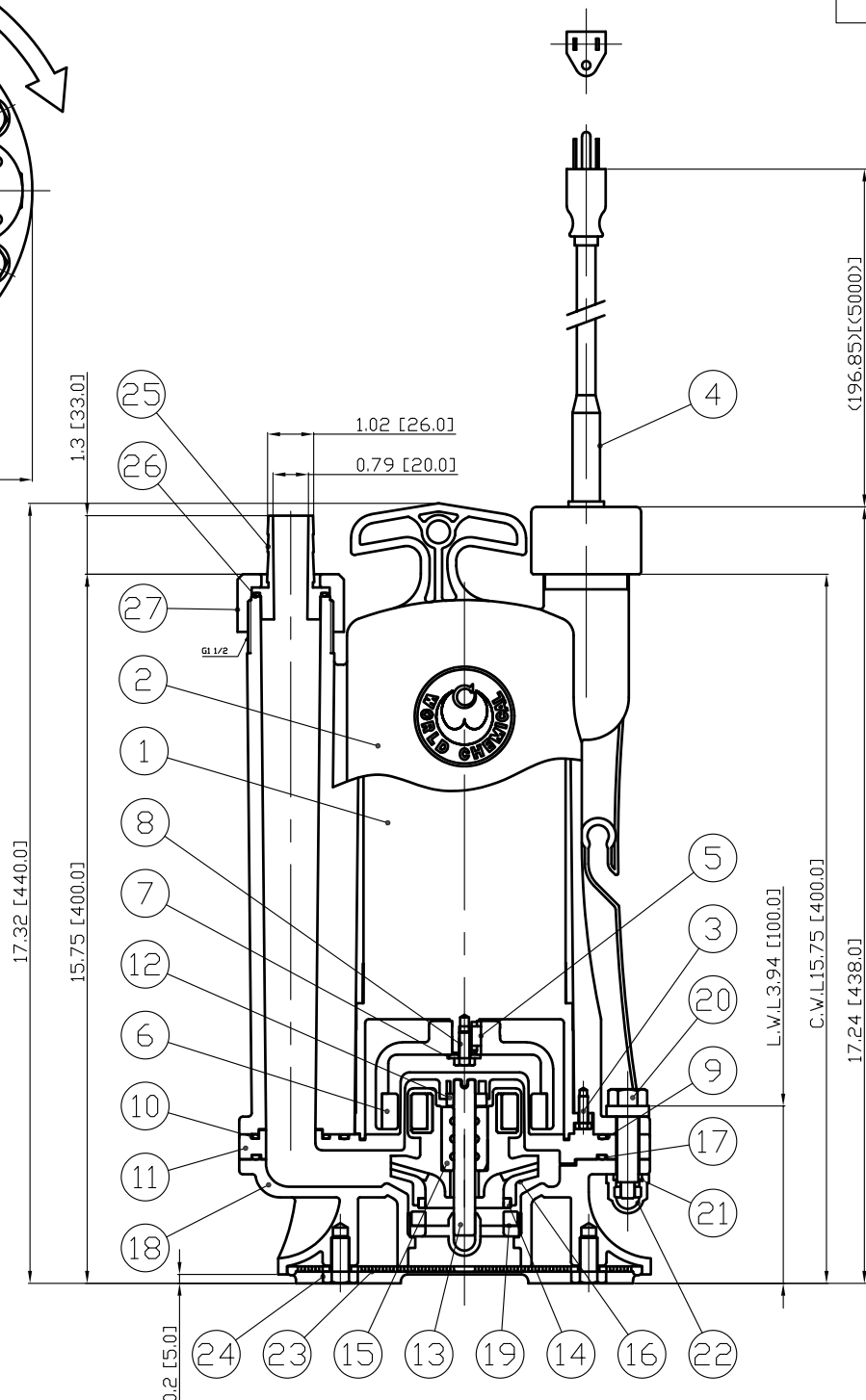
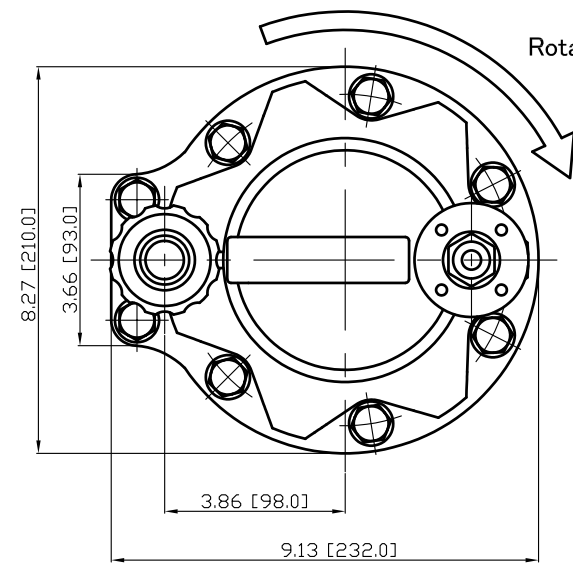


改定 REV.	日付 DATE	改定内容 DESCRIPTION	承認 APP'D BY	検図 CKD BY	設計 BY
△					



C.W.L (Continuous operation water level)
L.W.L (Lowest operation water level)
The dimension of the hose : Inner bore 25mm(1in) × Outer bore 33mm(1.3in)

27	Nut for hose joint	1	CFR PP	
26	O-ring for hose joint	1	FPM	P34
25	Hose joint	1	CFR PP	
24	Hexagonal bolt	4	PVC	M10 × 20
23	Strainer	1	CFR PP	
22	Nut for set bolt	8	CFR PP	
21	O-ring for set bolt	8	FPM	P12
20	Set bolt 37	8	CFR PP	
19	Liner ring	1	Alumina ceramics	
18	Casing	1	CFR PP	
17	O-ring for casing	1	FPM	
16	Impeller	1	CFR PP	
15	Bearing	1	CFR PTFE	
14	Mouth ring	1	CFR PTFE	
13	Pump shaft	1	Alumina ceramics	
12	Rear thrust ring	1	Alumina ceramics	
11	Rear casing	1	CFR PP	
10	O-ring for discharge outlet	1	FPM	P38
9	O-ring for rear casing	1	FPM	
8	Hexagonal bolt	1	SUS304	M6 × 15
7	Washer	1	SUS304	
6	Outer magnet	1	Ferrite	
5	Key	1	S45C	5 × 5 × 10
4	Cabtyre cable	1	CR	2PNCT
3	Hexagonal bolt	4	SUS304	M5 × 15
2	Motor cover	1	CFR PP	
1	Motor	1	FC (etc.)	

No.	品名 PARTS NAME	数量 QTY	材質 MATERIAL	備考 NOTE
名称 TITLE: SUBMERSIBLE CHEMICAL PUMP				
型式 MODEL: YD-25A6GWN1-CP-RD VX				
承認 APPROVED BY: MORI		検図 CHECKED BY: YOSHIDA		設計・製図 DRAWN BY: HAIDANG
				日付 DRAWN DATE: Feb.14.2021
図面番号 Dwg. No.: GM-3176-0				尺度 SCALE: N.T.S
株式会社 ワールドケミカル World Chemical Co.,Ltd.				

Unit=Inch(mm)

MODEL	YD-25A6GWN-CP-RD VX		
BORE	The dimension of the hose Inner25mm(1in) × Outer33mm(1.3in)		
TOTAL HEAD	ft		
CAPACITY	GPM		
MOTOR	0.26kW(1/3HP) 2P 1φ		
	115V 60Hz		
LIQUID	NAME		
	CONC.	%	S.G.
	TEMP.	°C	