

VERTICAL SEALLESS PUMP

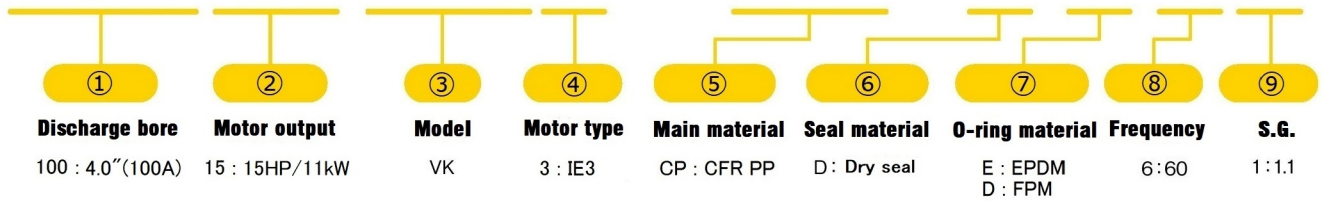
VK series

LARGE FLOW FOR SCRUBBER SYSTEM **DRYFREE**



Model description

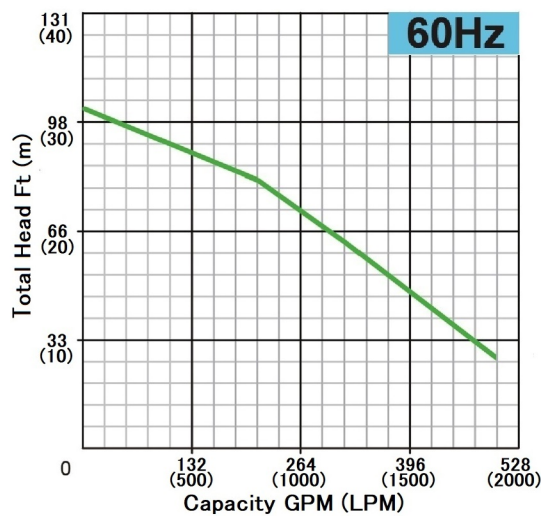
YD-10015VK3-CP-DD51



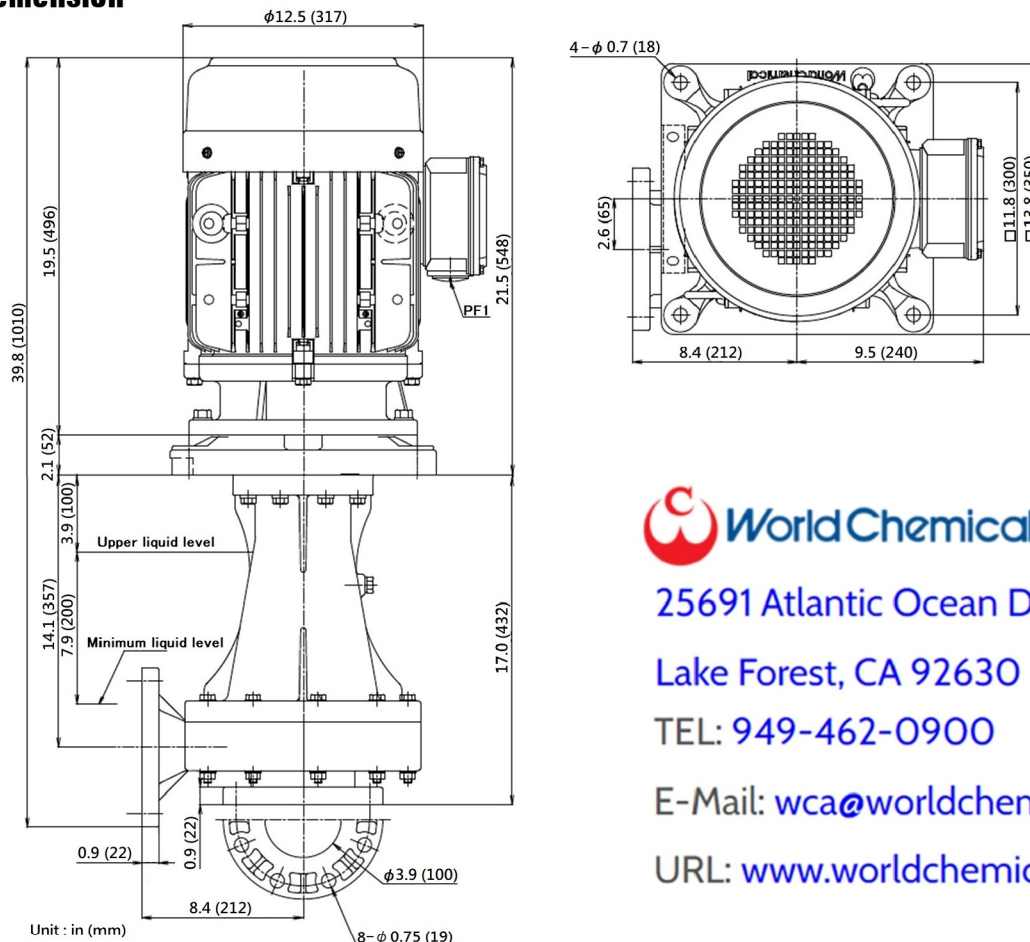
Specification

| Hz | Model | Suc. in(mm) | Dis. in(mm) | Max GPM-Ft(LPM-m) | Standard GPM-Ft(LPM-m) | Output HP(kW) | Weight lbs(kg) | S.G. | Heatresistant tem. °F(°C) |
|----|---------------------|-------------|-------------|-------------------|------------------------|---------------|----------------|------|---------------------------|
| 60 | YD-10015VK3-□P-D□61 | 4.0 (100) | 4.0 (100) | 500-101 (1900-31) | 317-65 (1200-20) | 15 (11) | 253 (115) | 1.1 | 158 (70) |

Performance



Outline demension



 **World Chemical USA, Inc.**

25691 Atlantic Ocean Dr. Unit B-15

Lake Forest, CA 92630

TEL: 949-462-0900

E-Mail: wca@worldchemicalusa.com

URL: www.worldchemicalusa.com