

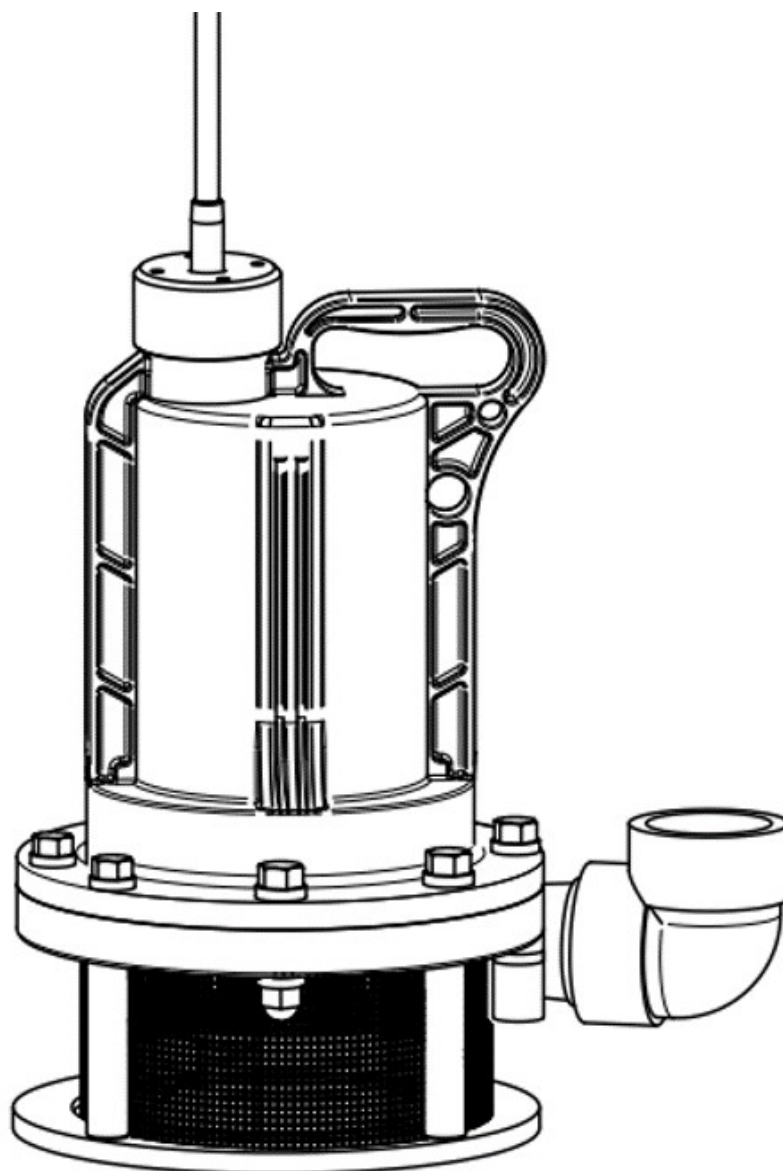
SUBMERSIBLE MAGNET DRIVE PUMP

SUBMERSE

YD-5002GWN1

INSTRUCTION MANUAL

Version: 240416



 **World Chemical Co.,Ltd.**

Preface

Thank you very much for purchasing World Chemical's submersible magnet drive pump "SUBMERSE". To effectively use SUBMERSE for an extended period of time, it is necessary to operate correctly and maintain as described in the instruction manual. Before using, read and understand the safety precautions outlined in this manual.

TABLE OF CONTENTS

- Warning 2
- Caution 3
- Model description / Specification 4
- Outline Dimension 5
- Features / Precautions in handling / 6
- Operating Temperature / Minimum required liquid level for operation / Example of installation 7
- Usage 8
- Check before operation 9
- Disassembly 11
- Assembly 12
- Exploded view 13
- Troubleshooting 145
- Warranty 156
- Repair 15



Warning



Using with dangerous liquids or atmosphere

When transferring dangerous liquid using this pump, or using in potentially explosive atmospheres (only explosion-proof type), observe the equipment standards set forth by law and make sure to perform daily inspection to prevent liquid leakage. If the pump is operated under the abnormal conditions such as liquid leakage, it may cause a severe accident, such as a physical injury, an explosion, or fire. Always comply with instructions of the supplier or manufacturer of liquids.



Prohibited use of a damaged or modified pump

Using a damaged or modified pump may cause a physical injury, electric shock, or product failure. Such usage will not be covered by our warranty.



Cautions on transporting and lifting the pump

Use the hoist bolts when lifting a pump. If a hoist bolt is not available, use a belt sling to lift the pump with careful attention to the weight balance. Only a qualified person should perform this with a strong enough sling. The lightest pump weighs approximately a minimum of 50lbs (23kg). Do not hand carry the pump as much as possible, as it may cause an accident.



Prohibited work with the power ON

Do not perform inspection or disassembly of the pump or motor while the power is ON. Rotating parts can cause physical injury. You can also be subject to electric shock. In addition to confirming the main power is OFF, check the hand switch of the pump as an additional safety measure before performing any work.



Connection of a ground wire

Using the motor without a ground wire connected may cause an electric shock. A qualified person must ground it according to the electric equipment technical standards and wiring regulations.



Protection of a power cord

Pulling, tucking, or damaging a power cord or motor lead wire may damage the cable, causing fire or an electric shock. Install the terminal box cover in the designated position after wiring.



Installation of Ground Fault Interrupter (GFI)

If a ground-fault interrupter is not installed when using the pump, an electric shock may occur. Install a ground-fault interrupter or overcurrent protective device to prevent electric accidents or motor damage.



Cautions on removing the pump

When removing the pump from pipes, close the suction and discharge pipe valves to ensure no spillage occurs. Directly touching chemical liquid may be hazardous, and may cause severe injuries. Wear protective equipment before starting work.



Caution



Prohibited use

Do not use the pump with other than as listed on the pump specifications or nameplate. Especially, check the motor's power supply specifications (phase, voltage, and frequency) before connecting. Incorrect usage may cause a physical injury or damage of the filter pump or peripheral devices.



Restriction on users

Only knowledgeable experts of the pumps should handle and perform installation, wiring, operation, or maintenance.



Cautions on unpacking

Check and confirm the proper side up when unpacking. When unpacking the crate, be careful with nails or wood chips to avoid any injury.



Ventilation

If any object is placed around the pump, it can block ventilation, causing the motor to overheat.

When handling poisonous or odorous liquid, install the pump where sufficient ventilation is available, due to risk of inhalation.



Repair and return

To request repair of a damaged pump, contact our sales representatives or your distributor.

When returning the pump using a carrier service or parcel delivery service, wash both inside and outside of the pump with clean water, make sure no liquid residue is left, and wrap it with a plastic bag.



Resin parts

The pump consists of resin parts, so a strong impact may damage parts or lead to physical injury. Do not strike the pump with any objects or climb on it. Additionally, install a pipe support to prevent a load being directly applied to the pump.



Starting of the pump

Make sure to check the rotational direction when starting the pump for the first time. Open the suction and discharge valves and ensure no liquid leakage near the pipe connection area. After air is released from the pipes and liquid is filled within the pump, briefly start to check the rotational direction. If the direction is reversed, in the three-phase power supply, switch two of the three cables. As a precaution, ensure the power supply is disconnected before performing any work.



Disposal of the pump

When discarding used pumps, dispose of them as industrial waste following the applicable laws and regulations after removing accumulated chemicals.



Protection measures for leakage

In case of liquid leakage from the damaged pump or pipe, take appropriate safety and protection measures.

■ Model Description

Model: YD-5002GWN1

YD-5002GWN1-HP (High pressure version, Only 60Hz)

Type: Chemical Submersible Magnet Drive Pump

Name: SUBMERSE

YD – 50 02 GWN1 – CP – A D 6 2 – HP - V

(1) (2) (3) (4) (5) (6) (7) (8) (9)

- (1) Bore: 50 = 50A
- (2) Motor output: 02 = 1.1kW = 1.5HP
- (3) Main cover material: CFR PP
- (4) Bearing material: R = PTFE A = Alumina Ceramic
- (5) O-ring material: E = EPDM D = FPM
- (6) Frequency: 5 = 50Hz 6 = 60Hz
- (7) Specific gravity: 1 = 1.1 3 = 1.3 5 = 1.5
- (8) Impeller: No mark = Standard type HP = High pressure type
- (9) Special mark: (Ex.) V = Non-standard voltage Z = With PVC cable sleeve

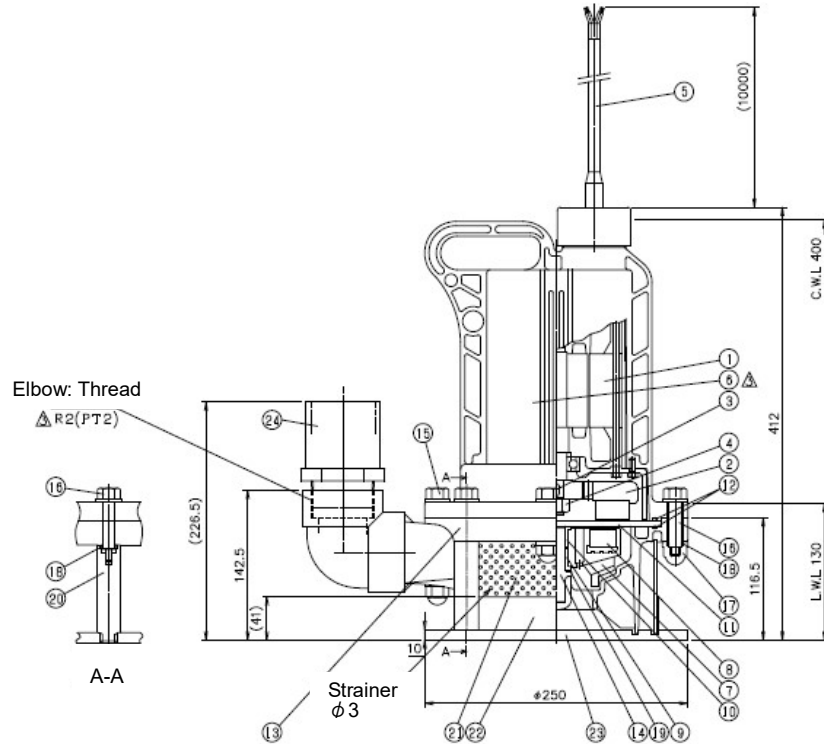
* When the special mark is other than above listed, it means a custom requirement by customer or special specification with some modifications added.

■ Specification

Model	Frequency	Standard Specification		Output	Power	Discharge bore	Weight
		Total head	Capacity				
5002GWN1	60Hz	8.3m (27ft)	200L/min (52gpm)	1.1kW	200/220V/460V 60Hz	50mm (2")	23kg (50lbs)
5002GWN1-HP	60Hz	11.9m (39ft)	100L/min (26gpm)				

Pump				Motor			
Main material	Carbon Fiber Reinforced Polypropylene			Type	Dry three phase induction motor		
Bore	50A=2"			Insulator	H		
Model	5002GWN	5002GWN-HP		Rated output	1.1kw=1.5HP		
Frequency	60Hz	60Hz		Phase	3		
Total head	Max	41	47	Pole		2	
	Standard	27	39	Rated Voltage	60hz	460V (200V/220V)	
Capacity	Max	87	80				Rated Current
	Standard	52	26				
Others							
Dimension	Outline	15" x 9.8" x 16" (H)			Starting Current	60hz	23.1A(23.03/22.73A)
	Height						
Weight	50lbs			Method of Stating	Direct		
Attached cable	2PNCT 4cores			Rotating speed	3410min-1 (3340/3390min-1)		
	1.25mm2x 10m (32ft)			Liquid temperature (max)	140F (0-60°C)		
Thermal protector	Built-in motor						

■ Outline dimension



No.	Part name	Remarks
1	Motor	FC
2	Motor magnet	Ferrite
3	Motor magnet key	SS
4	Motor magnet nut	SS
5	Cabtyre Cable 10m (32ft)	2PNCT
6	Motor cover	CFR PP
7	Impeller	CFR PP
8	Impeller magnet	Ferrite
9	Front bearing	PTFE / Ceramic
10	Rear bearing	PTFE
11	Separating board	Ceramic
12	O-ring for separating board	FPM / EPDM
13	Casing	CFR PP
14	Pump shaft	SiC

No.	Part name	Remarks
15	Set bolt 92	CFR PP
16	Set bolt 52	CFR PP
17	Set bolt nut	CFR PP
18	O-ring for set bolt	FPM / EPDM
19	Floating washer	PTFE (Only Ceramic bearing)
20	Standoff bolt	HT, PVC
21	Strainer	PP
22	Sludge fence	PP
23	Bottom plate	PP
24	50A Valve socket	PVC

* When the temperature of the liquid is high (131F/ 55C degrees and more), do not use No. 24: Valve socket (PVC). If using a valve socket, HT-PVC valve socket is recommended.

■ Features

SUBMERSE is constructed of Carbon Fiber Reinforced Polypropylene and a corrosion resistant ceramic shaft. Additionally, the structure is a magnet drive type which does not require a shaft seal, which makes the submersible pump compatible with strong acid and strong alkaline liquids that the previous pumps could not handle.

1. All the wet parts are made of corrosion resistant resin and ceramic.
2. The pump can be used for strong acid and alkaline liquids.
3. It is a magnet drive structure which does not require a shaft seal. Liquid will not enter the motor.
4. There are little consumables and parts are replaceable.
5. Operation of the pump is as simple as placing it in a tank. If proper fixation is provided, hanging operation is possible.
6. Easy grip for carrying, and durable construction ideal for emergency purpose.
7. A ceramic plate is used between the motor and pump chamber, which makes it resistant to both heat and chemicals.
8. A thermal protector is incorporated. If motor overload is detected from any cause, the thermal protector is activated to stop the motor.

■ Precautions in handling

1. Slurry will accelerate bearing wear. Especially when the pump is used in a sedimentation tank, mount the pump to prevent slurry from entering the pump, or clean any slurry before reaching the pump. (Replacement of the bearing is easy. Use a ceramic bearing on liquids with slurry.)
2. Completely submerge the pump to use. Operation with air may cause pump failure.
3. If the check valve is attached at the discharge pipe, air will not be released, which will cause dry running. If you attach the check valve, install the air release pipe beneath to always release air.
4. If the pump is not completely submerged in liquid and exposed to air, the motor will not cool down, causing a damage to the motor resin cover.
5. A liquid level gauge malfunction can cause dry running. Check before the operation.
6. Make sure to attach the strainer to the pump in order to prevent debris from entering, and always clean it to be clog-free. If it is clogged, the pump may overheat.
7. When considering electric wiring, ensure the wiring gauge is adequate to prevent voltage drop.
8. When the liquid temperature is high (131F/55C degrees and higher), change the material of the valve socket (PVC) at the discharge outlet. (High temperature- PVC is recommended.)
9. Do not use the pump for highly concentrated sulfuric acid (50% and more).
10. Frequently starting and stopping the pump causes premature damage to the pump, so limit the frequency to 6 times or less per hour.

■ Operating temperature

YD-5002GWN1: 140 Fahrenheit / 60 Celsius (MAX.)

Cable material: 2PNCT

■ Minimum required liquid level during operation

Minimum required liquid level for continuous operation is 16 inches (400 mm).

Keep the minimum liquid level during operation, enough to submerge the whole pump. (Liquid level for continuous operation: 16 inches/400mm or higher from the pump's bottom surface.) Operation below the required liquid level, such as for dead head operation, should be less than 5 minutes.

Do not repeatedly run for less than 5 minutes.

Depending on the operational situation, the incorporated thermal protector may get activated to stop the pump in order to protect the motor. In that case, stop the operation for a while. Check the pump status and ensure the proper liquid level to resume the operation.

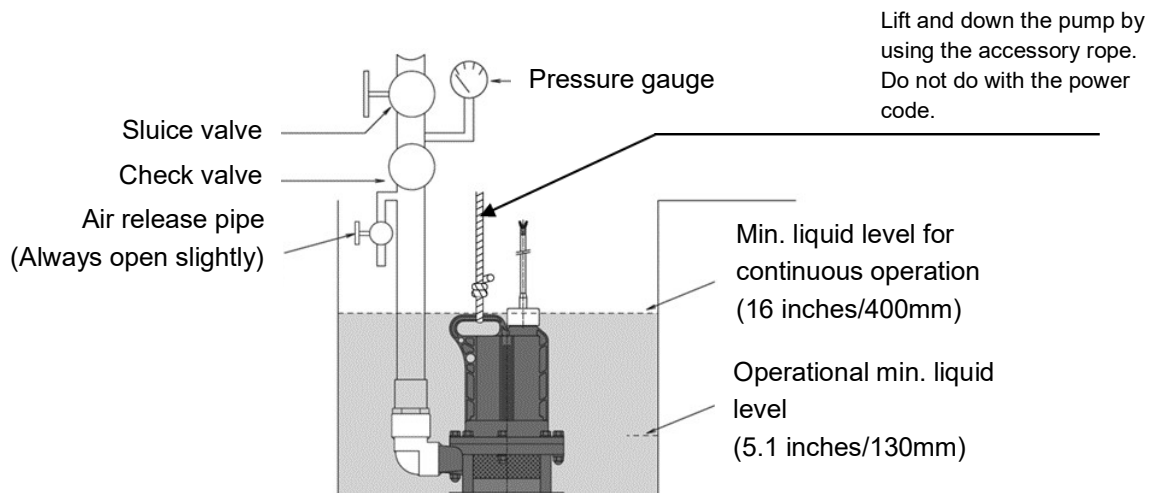
Minimum liquid level for operation is 5.1 inches (130 mm).

The minimum liquid level for operation is 5.1 inches/130mm from the pump's bottom surface.

- Even with the proper operational liquid level, depending on the liquid surface condition, there is a chance that the operation may be interrupted due to air entering.
- If the impeller of the pump runs with air, the rotating parts may be damaged.

■ Example of installation

To prevent water hammer, refer to the following image for pipe installation. During installation, use appropriate equipment, such as the accessory rope, to lift and down the pump. Do not use the power cord for lifting purposes. This may cause electrical leakage.

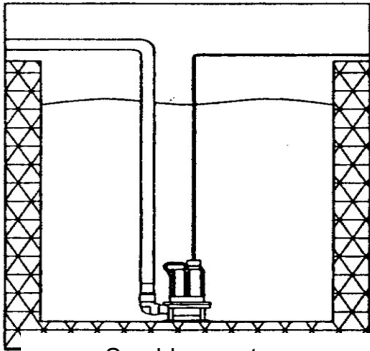


■ Usage

1. To pump chemical liquids or wastewater from a deep or narrow tank.
2. To pump liquids that are easily aerated.
3. To pump chemical liquids from a sealed tank.
4. To circulate liquids in a tank.
5. To mix liquids in a tank or an equipment.
6. To pump or transfer liquids in an emergency.

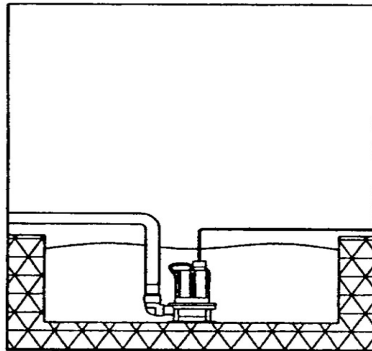
Samples of usage

Pumping liquid from a



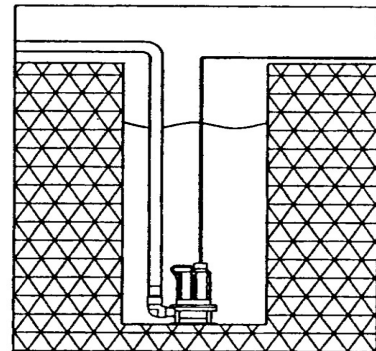
Scrubber system
(Washing system)

Pumping easily aerated
liquid or from a shallow

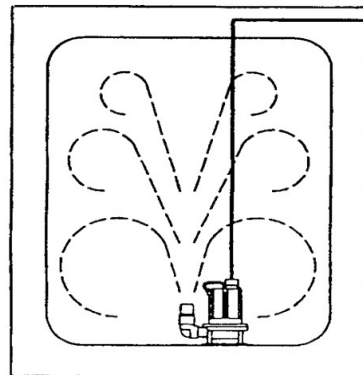
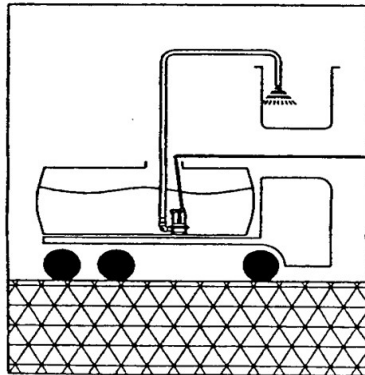
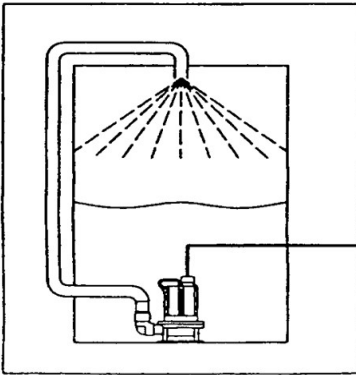


Using for a tank truck

Pumping liquid from a
narrow and deep tank



For mixing



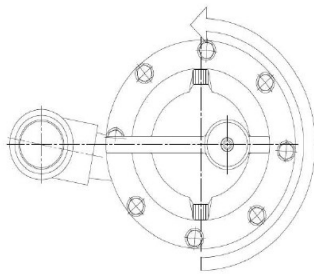
Check before operation

1. Electric wiring

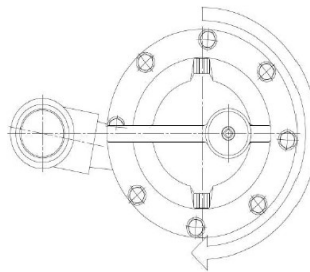
Before starting operation, check the rotational direction. Connect U (red), V (white), W (black), and ground (green) wires to start the pump. The rotational direction can be checked as follows:

1-(1) In reverse direction, the discharge amount will be 30% of what it would be in the forward direction.

1-(2) When turning the switch ON while the pump lifted in water, it should be a counterclockwise rotation observed from the above.



Forward rotation



Reverse rotation

Note: In case of the reverse rotation, switch two of the three cables (Red, White, and Black).

2. Precautions in electric wiring

- Make sure to connect a green ground wire to a ground plate or bar before connecting the Cabtyre Cable 10m(32ft) with Plug to prevent electric shock.
- Never test the pump in the air. Generated heat may deform the pump and cause failure.
- Install a circuit breaker to prevent unexpected problems.

Note: To prevent electric shock or fire, the user is obligated to provide a circuit breaker according to the industrial safety and health regulations and electric equipment technical standards.

<Cabtyre Cable side>	Red – U	<Motor cable side>
	White – V	
	Black – W	
	Green – Ground	

3. Voltage during operation

If voltage is low, current increases. This can cause the thermal protector to be activated as the temperature of the stator increases. Low voltage causes pump performance failure. Use the pump with the voltage within the specified range.

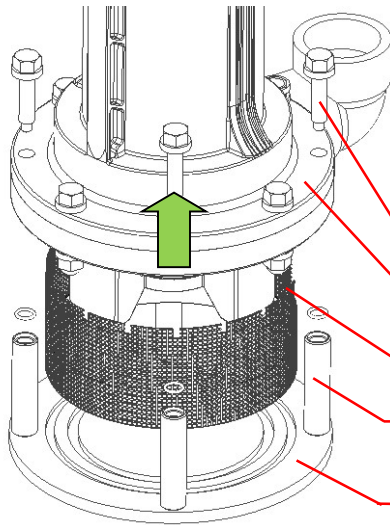
Note: Applicable voltage for this pump is within $\pm 10\%$ of the rated voltage.

4. Thermal protector (Protection Instrument)

When the temperature of the motor coil is near the maximum temperature limit from electrical or mechanical reasons, motor burn protection function will be activated and stop the motor by cutting off the electric circuit. Carefully investigate the cause which activated the thermal protector, remove that factor, and resume the operation.

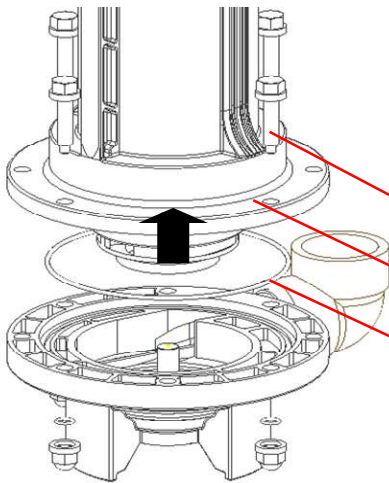
Note: Make sure to turn off the power before investigating. The thermal protector will automatically resume.

■ Disassembly



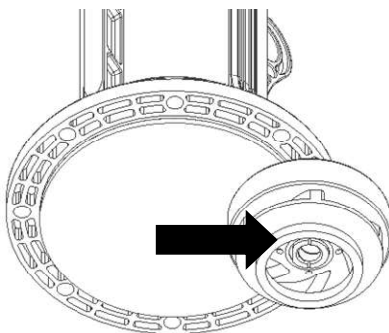
1. Remove 4 set bolts (16) from the standoff bolts (20) which are affixed to the casing (13).
2. The bottom board (23) with the standoff bolts (20) and the strainer (21) are removed.

Set bolt (16)
Casing (13)
Strainer (21)
Standoff bolt (20)
Bottom board (23)



3. After removing the rest of the set bolts (15) (16), pull the casing (13) forward to separate. The impeller (7) is secured on the motor cover (6) through the separating board (11).

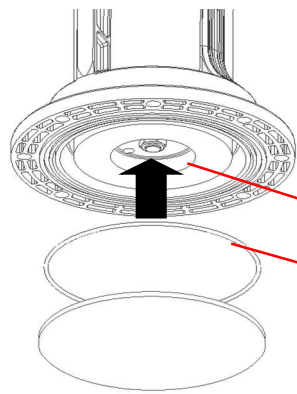
Set bolt (15) (16)
Motor cover (6)
O-ring for separating board (12)



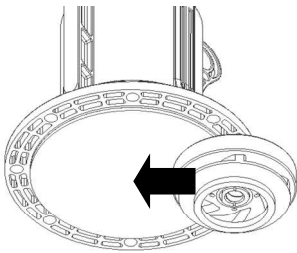
4. Remove the O-ring for separating board (12), and move the impeller (7) attached to the motor side magnet (2) outward to remove.

- Do not disassemble the motor (including the cable). When maintenance of the motor is required, contact your distributor.

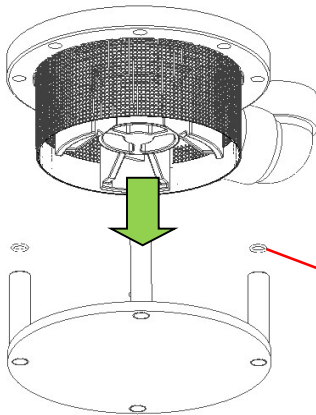
■ Assembly



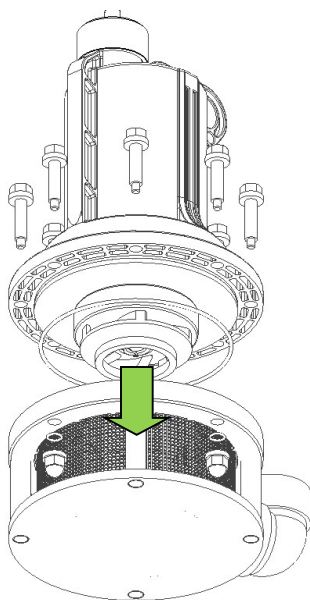
1. Insert the O-ring for separating board (12) in the groove of the motor cover (6).



2. Slide the impeller (7) from the side of the separating board (11) to the center. Do not move the impeller (7) quickly, as the separating board (11) could be damaged by impact caused when the impeller (7) approaches to the motor magnet (2) as a result of magnetic force.



3. Attach the standoff bolts (20) to the bottom board (23) and put the casing (13) on the strainer (21). Attach the O-rings for set bolts (18) to the standoff bolts (20).

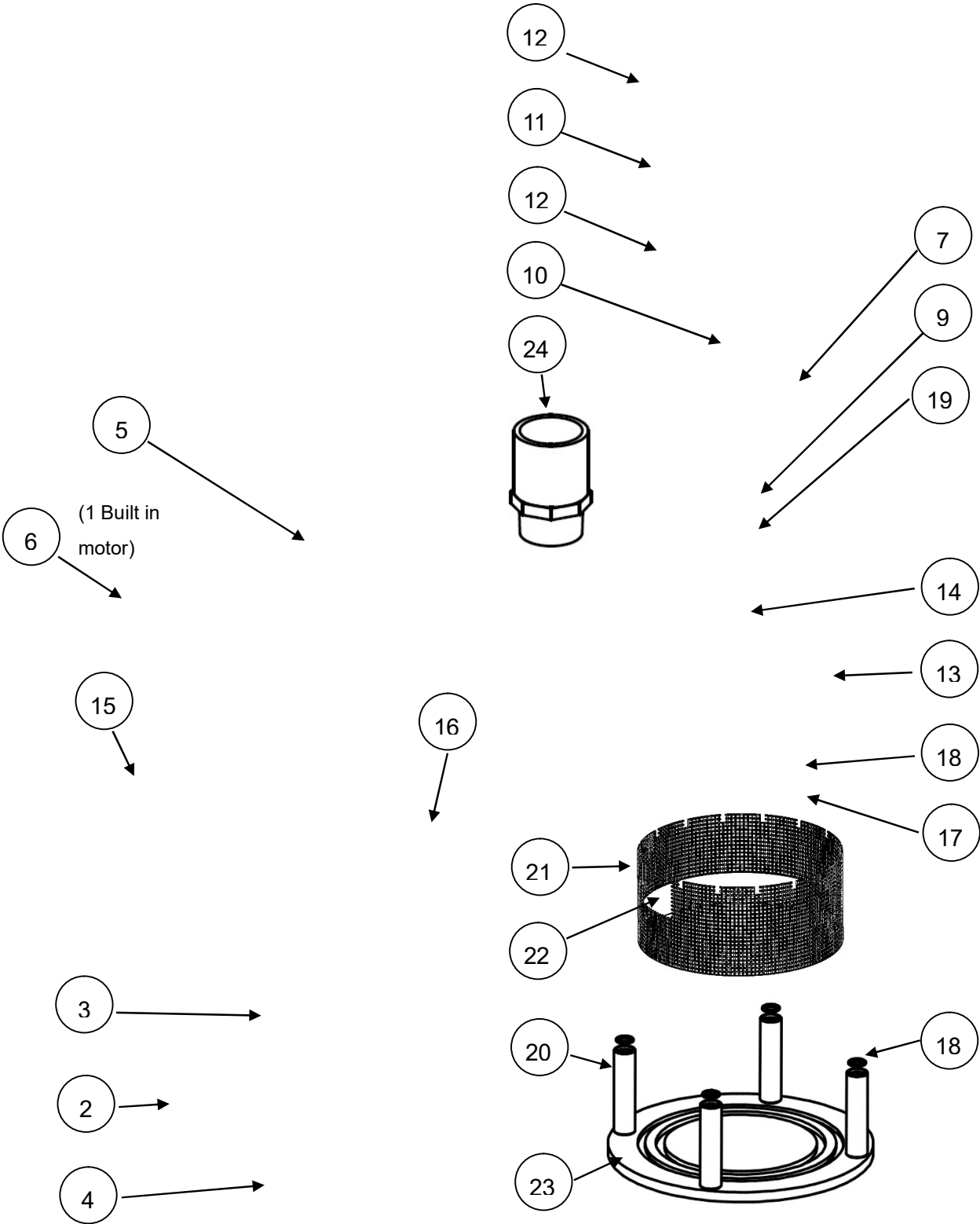


4. Attach the O-ring for separating board (12) to the casing (13) and put the parts assembled in the above procedures 1 & 2. Insert the bearing of the impeller (7) so that the inner diameter fits to the outer diameter of the pump shaft (14).

5. Insert the set bolts (15) (16). Install the O-rings for set bolts (18) to the nuts (17). Attach the nuts for the set bolts (17) first, then attach the standoff bolts (20).

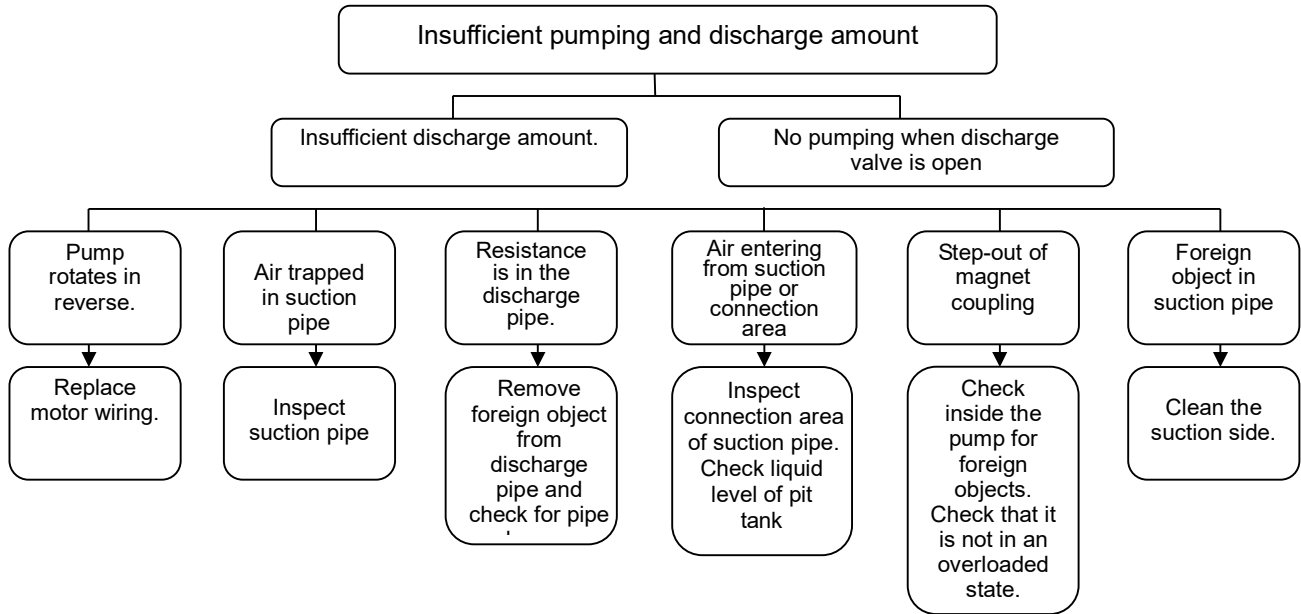
- The tightening torque is 8N·m to tighten the set bolts (15) (16). Tighten opposing bolts diagonally to fix.

■ Exploded view

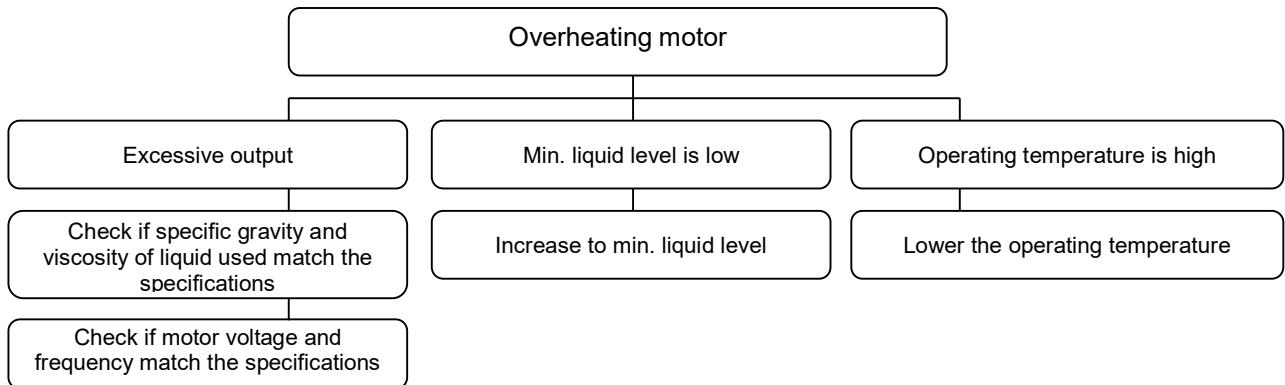


Troubleshooting

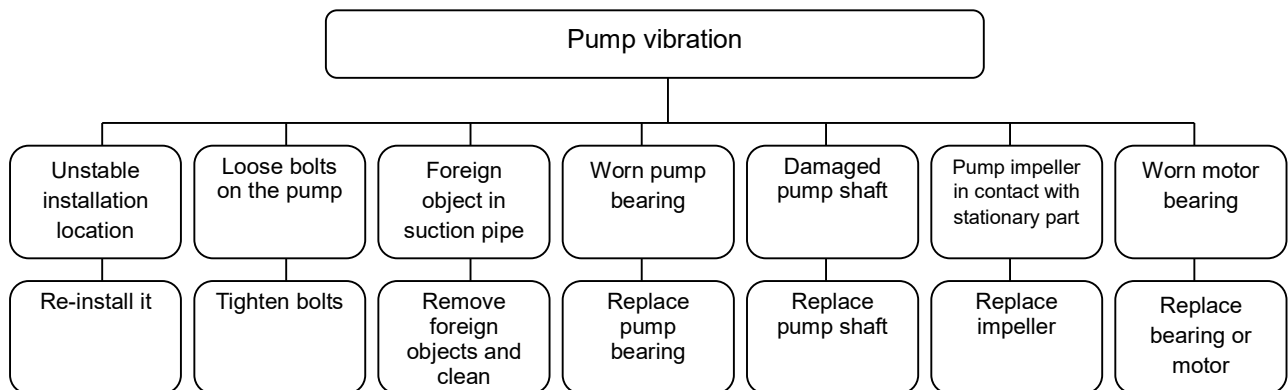
1. Insufficient pumping and discharge amount



2. Overheating Motor



3. Pump vibration



STANDARD ONE-YEAR LIMITED WARRANTY
FOR SALES MADE ONLY IN THE UNITED STATES, CANADA

**This limited warranty completely replaces the warranty issued by World Chemical Co., Ltd.
relating to the below described Pumps.**

WCUSA warrants its Magnetic Drive Pumps, Self-Priming Pumps, Oil Skimmer Systems, Vertical Pumps and Submersible Pumps (“Pumps”) against defects in materials and workmanship for one year from the date of WCUSA’s invoice to you for the affected Pump. This warranty requires you to return the Pump to WCUSA.

If there is a manufacturing defect, WCUSA will replace or repair the Pump with new or rebuilt parts at no charge to you. Please return the Pump to: World Chemical USA, 25691 Atlantic Ocean Dr. Unit B-15 Lake Forest, CA 92630.

When returning the Pump, include your name, address, daytime telephone number, and a description of the problem. No warranty work can be performed without this information.

Properly pack the Pump (preferably in the original carton) to prevent damage to the Pump in transit.

The repaired or replaced Pump will be warranted for a period equal to the remainder of the original one-year warranty.

All replaced Pumps, parts and components, shall become the property of WCUSA

This Limited Warranty does not cover: (a) defects or damage resulting from accident, misuse, abnormal use, abnormal conditions, improper storage, exposure to dirt, neglect, or unusual physical, electrical or electromechanical stress; (b) scratches, dents and cosmetic damage, unless caused by WCUSA; (c) Pump that has the serial number removed, defaced, damaged, altered or made illegible; (d) ordinary wear and tear; (e) defects or damage resulting from the use of Pump in conjunction or connection with other equipment not furnished or approved by WCUSA; (f) defects or damage resulting from improper testing, operation, maintenance, installation, service, caused by the use of unauthorized parts of service; (g) defects or damage resulting from external causes such as collision with an object, fire, flooding, dirt, windstorm, lightning, earthquake, exposure to weather conditions, or improper use of any electrical source; (h) irregularities or breakdowns due to chemical or hydrodynamic corrosion by liquid. We do not warrant the chemical resistance of the Pump to any chemical or to corrosion.

You will be responsible for paying for your own shipping costs for delivering the Pump to us. If we determine the Pump is covered by this warranty, we will return the new or repaired Pump to you at our expense. If we determine that the Pump is not covered by this warranty, we will return it at your expense.

WCUSA does not warrant accessory components, including, but not limited to, Impeller (including mouth ring and bushing), Rear Casing set (include shaft), O-Ring for Casing and other consumable parts.

REPLACEMENT OR REFUND OF THIS PUMP AS PROVIDED UNDER THIS LIMITED WARRANTY IS BE YOUR EXCLUSIVE REMEDY.

WE ARE NOT RESPONSIBLE OR LIABLE FOR ANY LOSS, INCONVENIENCE OR DAMAGE, WHETHER SPECIAL, DIRECT, INCIDENTAL, CONSEQUENTIAL, OR OTHERWISE, AND WHETHER KNOWN OR SHOULD HAVE BEEN KNOWN TO US, INCLUDING LOST PROFITS, GOODWILL, DAMAGE TO OR REPLACEMENT OF OTHER PUMPS AND PROPERTY AND PERSONAL INJURY RESULTING FROM ANY BREACH OF WARRANTY, THE INABILITY TO USE THE PUMP OR UNDER ANY LEGAL THEORY IN CONTRACT OR TORT. THESE WARRANTIES AND REMEDIES ARE YOUR SOLE AND EXCLUSIVE WARRANTIES AND REMEDIES IN CONNECTION WITH THE SALE AND USE OF THE PUMP. NO OTHER WARRANTIES, ORAL OR WRITTEN, EXPRESS OR IMPLIED, ARE GIVEN. OUR LIABILITY IS LIMITED TO THE ACTUAL PURCHASE PRICE YOU PAID TO THE RETAIL SELLER OF THE DEFECTIVE PUMP. EXCEPT TO THE EXTENT PROHIBITED BY LAW, ANY IMPLIED WARRANTIES OR CONDITIONS OF MERCHANTABILITY AND FITNESS FOR A PARTICULAR PURPOSE ARE LIMITED IN DURATION TO THE DURATION OF THIS LIMITED WARRANTY.

Some states do not allow the exclusion or limitation of implied warranties or liability for incidental or consequential damages, or do not allow a limitation on how long an implied warranty lasts, so the above limitations or exclusions may not apply to you. You are advised to contact applicable state laws for a full determination of your rights. This warranty gives you specific legal rights, and you may have other rights which vary from state to state.

No dealer, agent or employee is authorized to make any modification, extension, change or amendment to this warranty. This warranty may not be assigned without the prior expenses written approval of WCUSA.

Repair

Notice: When repairing, consult your supplier. Wash the wet parts kit for the returned pump adequately and pack it.

If any irregularity is detected during operation, stop the pump and check it. Refer to the section on "Troubleshooting".

1. To request a repair service, ask your supplier or us.
2. Before requesting a repair service, read this instruction manual carefully and check it, again.
3. When requesting a repair service, provide the following information:
 - Pump model and serial number
 - The period of use and the condition
 - The failure parts and the condition
 - Type of liquid (name, specific gravity, temperature, any slurry or not)

Clean the inside of the pump adequately when returning it, because if the residual liquid leaks out during shipment, it creates a hazardous condition.

Use names in the parts table (P6) to order for replacement or spare parts. Nevertheless, also provide the part number and the material just in case.

Model:	
Purchase date:	Serial No.
Date to start:	Supplier:

WORLD CHEMICAL CO., LTD. / Japan**Head Office / Overseas department**

3F., ANTEX24, 1-1-14, Taito. Taito-ku, Tokyo, 110-0016 Japan

TEL : 03-5818-5130 FAX : 03-5818-5131 (Head office)

TEL : 03-5818-5131 FAX : 03-5818-5131 (Overseas Department)

Osaka Office

3F., Kotani park Bldg., 1-19-25, Edobori, Nishi-ku, Osaka-shi, Osaka, 550-0002 Japan

TEL : 06-6467-8565 FAX : 06-6467-8566

Nagoya Office

4F., Daiei Bldg., 1-11-20, Nishiki, Naka-ku, Nagoya-shi, Aichi, 460-0003 Japan

TEL : 052-253-8426 FAX : 052-253-8436

Tsukuba Factory

6127-5, Onogo-machi, Joso-shi, Ibaraki, 300-2521 Japan

TEL : 0297-24-1071 FAX : 0297-24-1075

WORCHEMI TAIWAN CO., LTD. / Taichung, Taiwan

No.915, Zhongshan Rd., Shengang Dist., Taichung City 42955, TAIWAN

TEL : 886-4-2562-8358 FAX : 886-4-2562-8351

WORLD CHEMICAL USA, INC. / California, U.S.A.

25691 Atlantic Ocean Dr. Unit B-15 Lake Forest, CA 92630

TEL : 1-949-462-0900 FAX : 1-949-462-0999

SUZHOU WORLD TECHNOLOGY CO., LTD. / Jiangsu, China

402, Fu Yuan Road, Xiang Cheng Economic District, Suzhou, Jiangsu Province, China

TEL : 86-0512-6579-8212 FAX : 86-0512-6579-8215

WARNING

Do **NOT LIFT** the pump with a cable to avoid malfunctions or electrical issues.

DO NOT USE THIS PUMP WITH: SLURRY, SLUDGE OR OTHER SMALL PARTICULATES THAT COULD CAUSE THE PUMP TO BECOME INOPERABLE.

AFTER EACH USE OF THE PUMP, TAKE OUT FROM THE TANK AND RINSE WELL WITH WATER TO KEEP IT IN OPTIMUM CONDITION.